

SPECIFICATIONS

Friction Header Connector

Mechanical

Contact Retention Force: 0.91 KGF Min
Durability: 500 Cycles

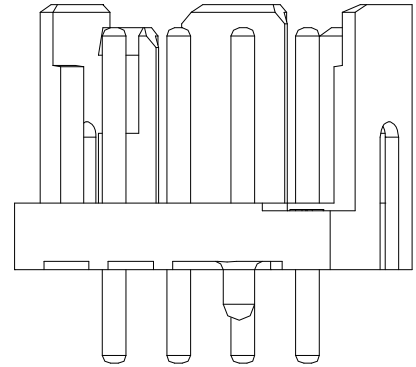
HF57 Series
Friction T/H Type
2.00mm [.079"] Pitch

Electrical

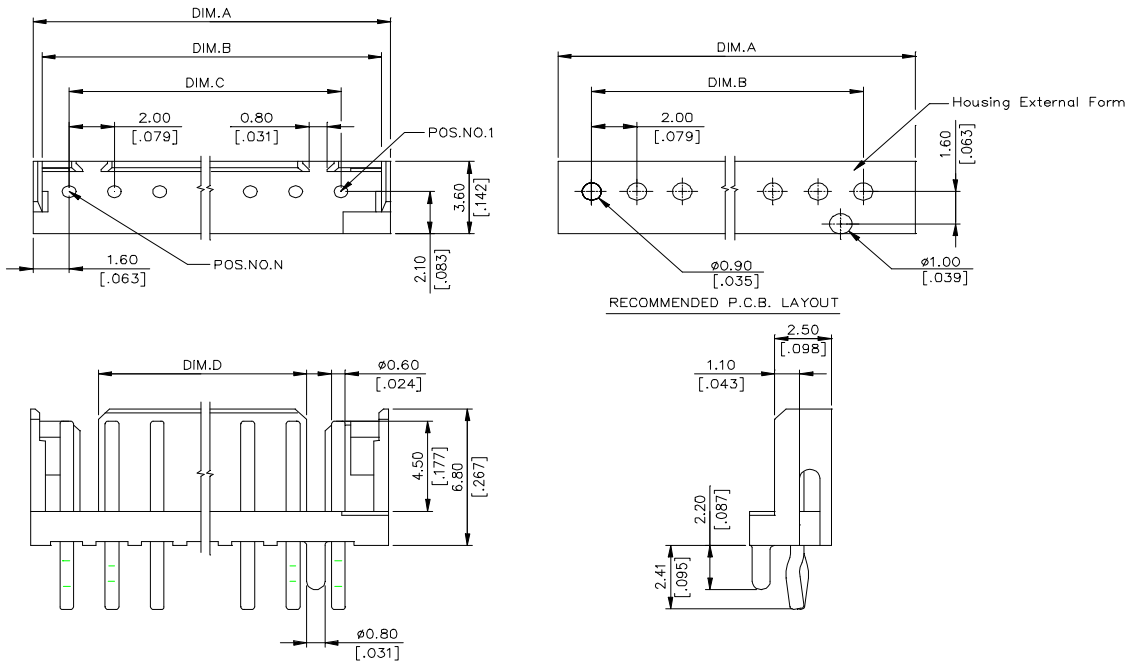
Voltage Rating: 125V
Current Rating: 1.0A per pin min
Contact Resistance: 20mW max
Dielectric Withstanding Voltage: 1000V
Insulation Resistance: 1000MW min

Physical

Housing: Thermoplastic, Glass Filled, UL94V-0 Rating
Contact: Copper Alloy
Plating: See "ORDERING INFORMATION"
Operating Temperature: -30 to +105



DRAWING



ORDERING INFORMATION

PRODUCT NO.: HF57***-**

Header _____
 High Friction Header _____
 Termination & Contact Type _____
 No. Of Pos _____
 2=2 Pos
 3=3 Pos

 16=16 Pos
 Optional For Plating _____
 0=100u" Tin/Lead
 E=100u" min. Tin with Lead free "RoHS Compliance"

Optional For Code Post
 None = None
 C1=Yes

Optional For Kinks
 None:None Kink
 K:For 3 & 4 POS. All Pins
 Are Kinked.
 For 5~16 POS. The 1ST
 2ND,N & N-1 Pieces of
 Terminals Are Kinked



HF5716*~**	16	33.80 [1.331]	33.00 [1.300]	30.00 [1.181]	27.20 [1.083]
HF5715*~**	15	31.80 [1.252]	31.00 [1.221]	28.00 [1.103]	25.20 [.992]
HF5714*~**	14	29.80 [1.173]	29.00 [1.142]	26.00 [1.024]	23.20 [.913]
HF5713*~**	13	27.80 [1.094]	27.00 [1.064]	24.00 [.945]	21.20 [.835]
HF5712*~**	12	25.80 [1.016]	25.00 [.985]	22.00 [.867]	19.20 [.756]
HF5711*~**	11	23.80 [.937]	23.00 [.906]	20.00 [.788]	17.20 [.677]
HF5710*~**	10	21.80 [.858]	21.00 [.827]	18.00 [.709]	15.20 [.598]
HF5709*~**	9	19.80 [.780]	19.00 [.748]	16.00 [.63]	13.20 [.520]
HF5708*~**	8	17.80 [.701]	17.00 [.67]	14.00 [.552]	11.20 [.441]
HF5707*~**	7	15.80 [.622]	15.00 [.591]	12.00 [.473]	9.20 [.362]
HF5706*~**	6	13.80 [.543]	13.00 [.512]	10.00 [.394]	7.20 [.283]
HF5705*~**	5	11.80 [.465]	11.00 [.433]	8.00 [.315]	5.20 [.205]
HF5704*~**	4	9.80 [.386]	9.00 [.355]	6.00 [.236]	3.20 [.126]
HF5703*~**	3	7.80 [.307]	7.00 [.276]	4.00 [.158]	
HF5702*~**	2	5.80 [.228]	5.00 [.197]		
P/N	POS.	DIM. A	DIM. B	DIM. C	DIM. D